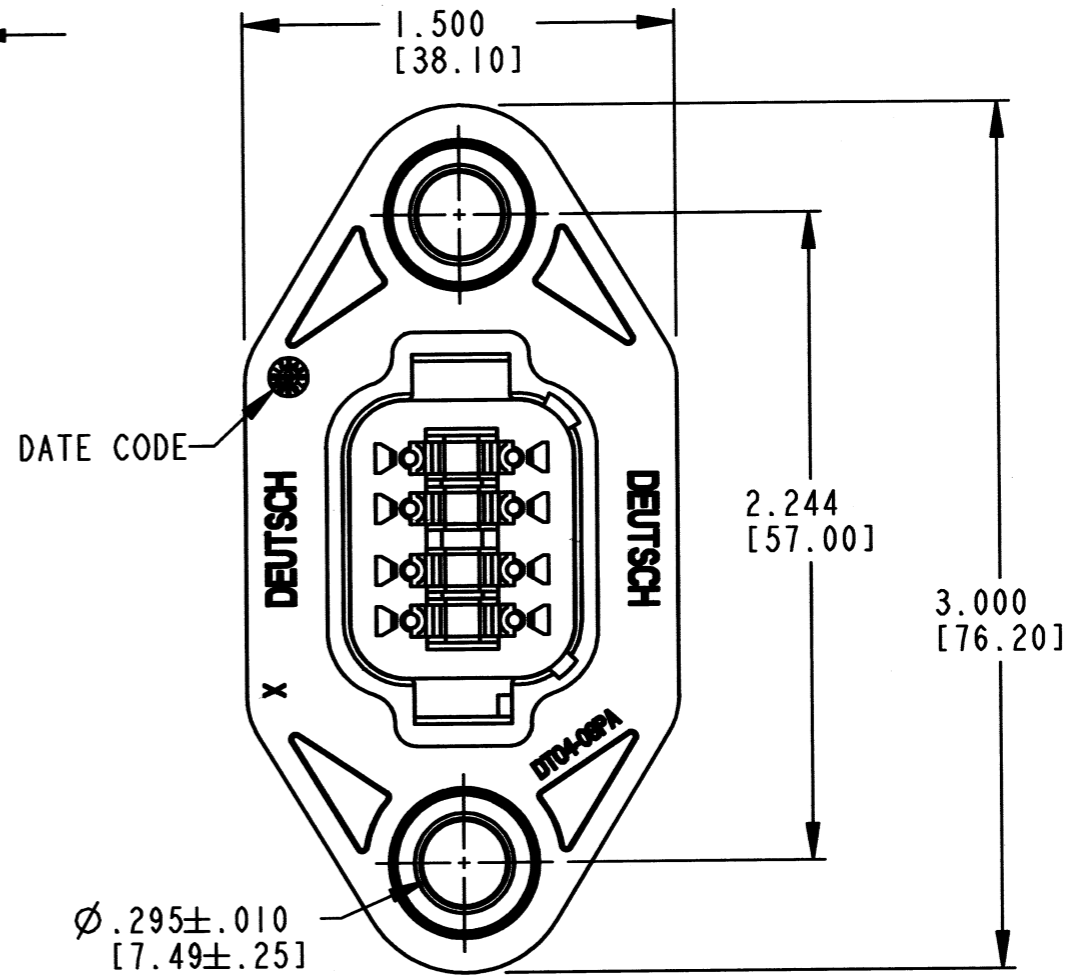
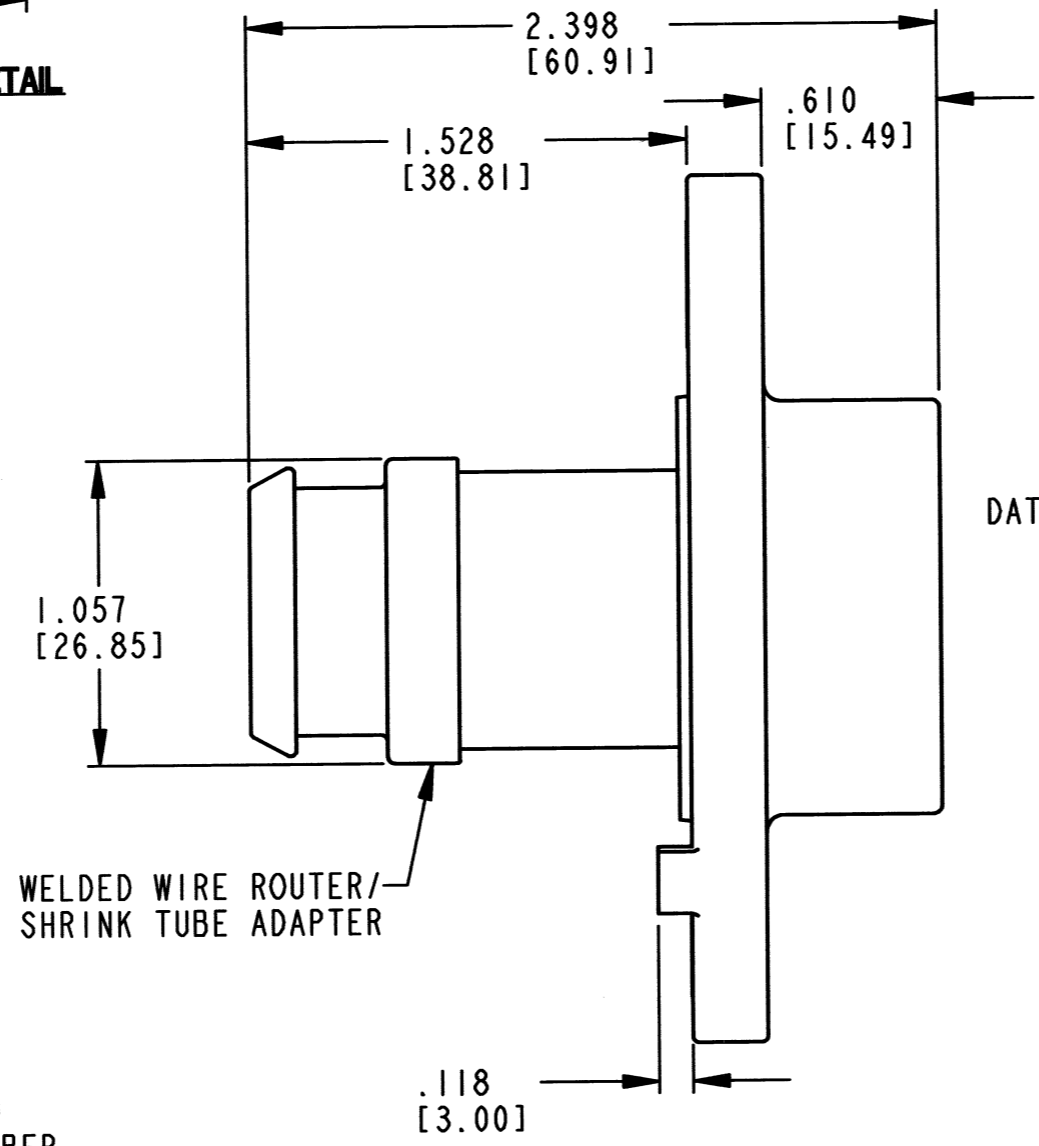
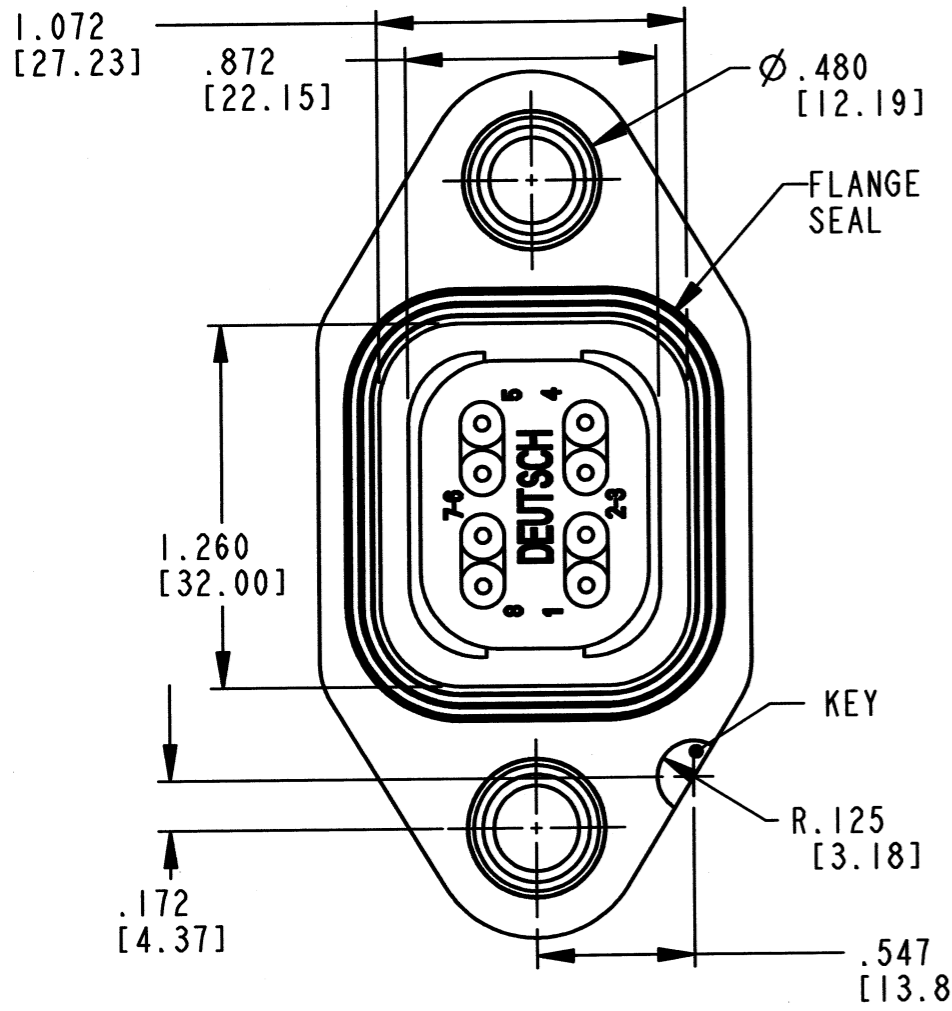
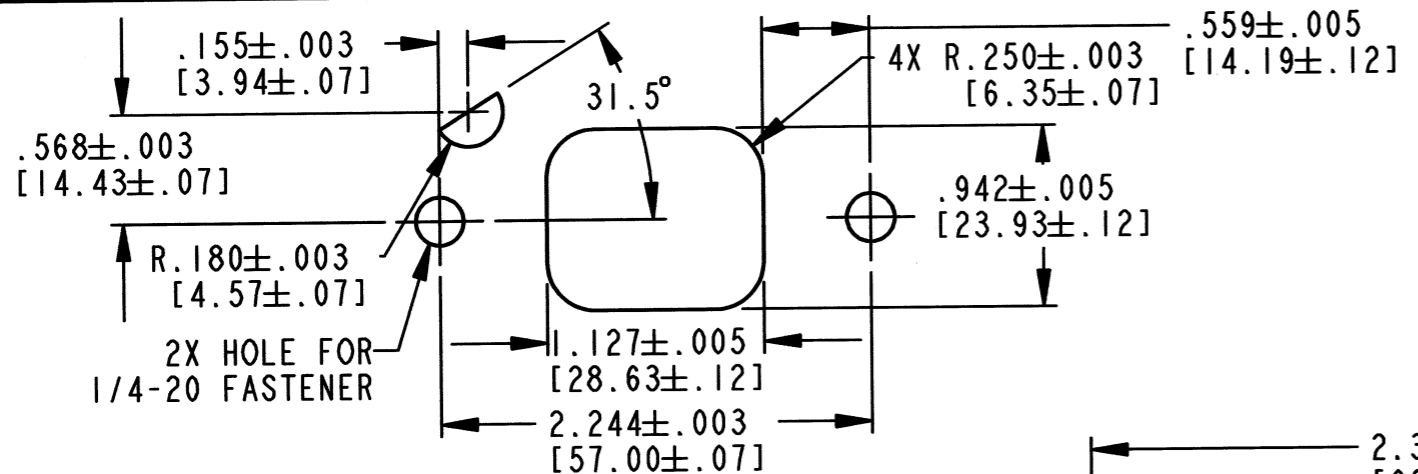


REV
E DT04-08PA-LE03

REVISIONS			
SYM	DESCRIPTION	DATE	APPROVED
B	REVISED PER E.O. P18219	6/27/03	R.D.R.
C	REVISED PER E.O. P20483	5/28/10	R.D.R.
D	RELEASE PER E.O. P20553	7/21/10	R.D.R.
E	REVISED PER E.O. P20766	1-21-11	RDR

CONTACT SIZE	MIN. INSUL. O.D.	MAX. INSUL. O.D.	WIRE RANGE [mm ²] REF ONLY
16	.088 [2.23]	.145 [3.68]	14-20 AWG (2.0-0.5)



5. MATERIAL: SHELL: PLASTIC; GROMMET: RUBBER
4. THIS RECEPTACLE MATES WITH THE DT06-08SA-**** PLUG. (**** ALL MODIFICATIONS). CONSULT FACTORY FOR MODIFICATIONS.
3. FOR CONTACTS AND WIRE PERFORMANCE AND APPLICATION CHARACTERISTICS SEE ENVELOPE DRAWING 0425-015-0000 AND 0425-017-0000.
2. DIMENSIONS ARE ±.025 [0.64] UNLESS OTHERWISE SPECIFIED.
1. DIMENSIONS ARE IN INCHES [MILLIMETERS].

NOTES:

SIGNATURE & DATE	
DR	S. THEIS 10/9/98
CHK	<i>B. Byford</i> 1/2V/2011
PE	<i>R. Messing</i> 1/11/10
APPD	<i>S. Beaulieu</i> 1/14/11
SCALE	NONE WT

8 WAY RECEPTACLE
FLANGED CONNECTOR
-LE03 MOD
DT SERIES

ENVELOPE

EP	MATL. CODE
3850 INDUSTRIAL AVE. HEMET, CA 92545 DEUTSCH INDUSTRIAL	
B	DT04-08PA-LE03
DWG SIZE	CODE 11139 SHEET OF